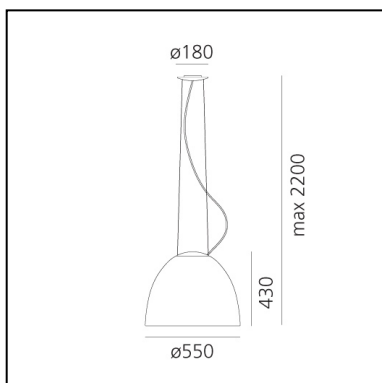


Nur Gloss - Suspension - Black

Ernesto Gismondi



IP20      Dimmerable: 



LUMINAIRE

- Watt: **205W**
- Voltage: **220V-240V**
- Delivered lumens output: **1735lm**
- CCT: **2900K**
- Efficiency: **41%**
- Efficacy: **8.46lm/W**
- CRI: **99**

Notes

A new perfectly smooth and polished finish gives elegance to the classic Nur model. All the versions are encased in a diffuser at the bottom.

DESCRIPTION

An extreme geometric synthesis of optics par excellence, Nur manifests its presence through a monolithic and mono-material body. The essential and geometrically calibrated lines of a perfect parabola conceal an optical heart that perfectly controls the emission, without offending direct vision. It ensures general ambient lighting thanks also to indirect emission. Artemide App Compatible.

PRODUCT CODE: A242110

FEATURES

- Article Code: **A242110**
- Colour: **Black**
- Installation: **Suspension**
- Material: **Aluminium, polycarbonate, glass**
- Series: **Design Collection**
- Environment: **Indoor**
- Area contract: **Hospitality, Office, Residential**
- Emission: **Direct/indirect**
- design by: **Ernesto Gismondi**

DIMENSIONS

- Height: **cm 43.9**
- Diameter: **cm 55.4**
- Max Height from ceiling: **cm 200**
- Impact Resistance: **N/D**
- Glow Wire Test: **650°**

NOT INCLUDED SOURCES

- Category: **HALO**
- Number: **1**
- Watt: **205W**
- Socket: **E27**
- Color Rendering: **99**
- Color temperature (K): **3000K**
- Class: **A**

ALTERNATIVE SOURCES

- Category: **LED RETROFIT**
- Number: **1**
- Watt: **21W**
- Delivered lumens output: **2452lm**
- Socket: **E27**